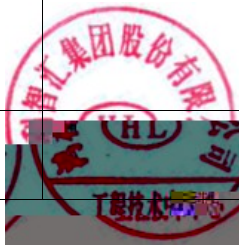
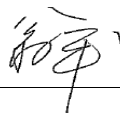
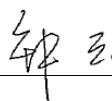


RoHS

Client approval			Hongli approval		
					
					

/ 020-86733333

/ 020-86733883 86733938 86733265

/

- 1.
- 2.
- 3.

HL-AF-5060H271BU46FU79GC-S1-T1

Selection Guide

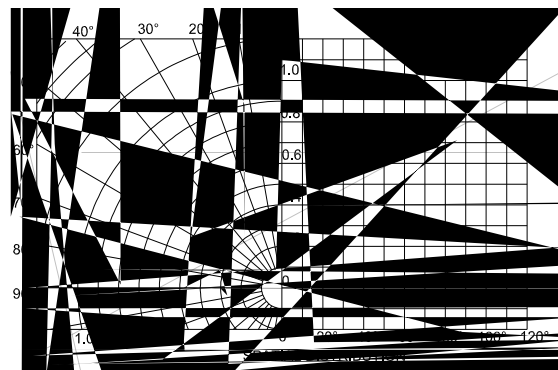
1. 0
0 1/2

Electrical / Optical Characteristics at Ta=25°C

Absolute Maximum Ratings at Ta=25°C

0.1ms 1/10 ± . ± . ±

HL-AF-5060H271BU46FU79GC-S1-T1



HL-AF-5060H271BU46FU79GC-S1-T1

Reliability Test Items And Conditions

Failure Criteria

Luminous Flux				

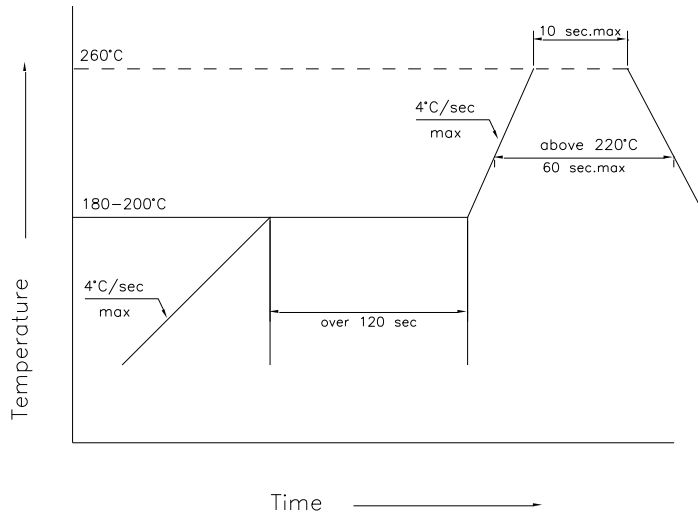
... :

... :

*

HL-AF-5060H271BU46FU79GC-S1-T1

SMT Reflow Soldering Instructions SMT

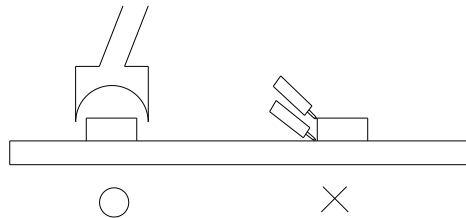


Soldering iron

300°C 3

Repairing

LED
LED



Cautions

LED LED LED

LED

LED

100PPM

LED

LED

LED

900PPM

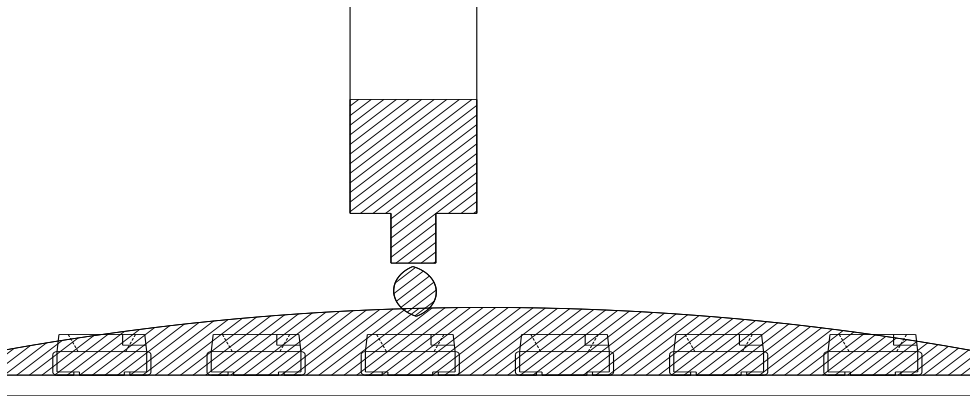
LED

LED

LED

1500PPM

900PPM

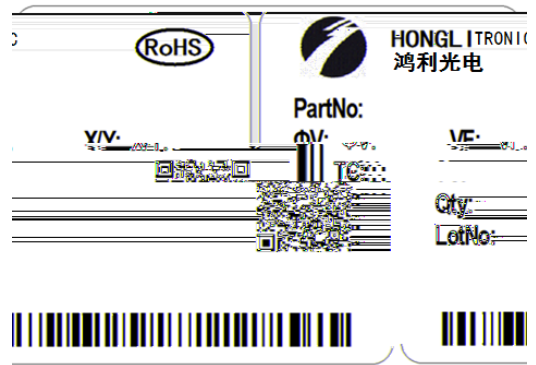


LED

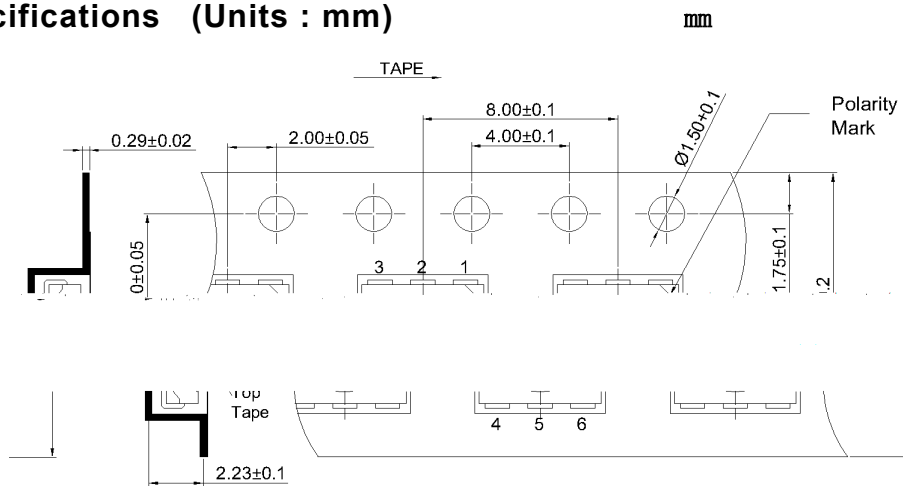
HL-AF-5060H271BU46FU79GC-S1-T1

Label

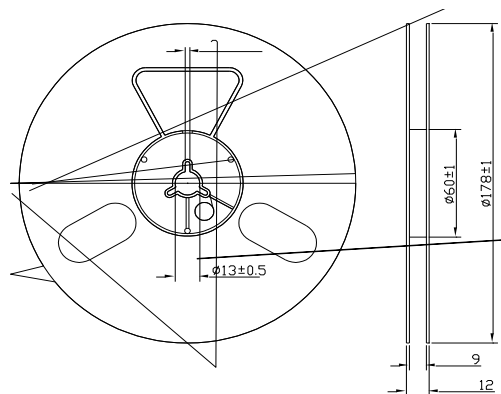
Φ



Tape Specifications (Units : mm)



Reel Dimensions



Moisture Resistant Packaging

